

KOBELCO

Hydraulic Excavator

-11 SERIES

SK260 LC

Performance  Design

■ Engine Power:

194 hp {145 kW} @ 2,200 rpm
(SAE NET)

■ Operating Weight:

60,200 lb {27,300 kg}–62,600 lb {28,400 kg}



Complies with the latest
exhaust emission regulations



US EPA
Tier IV Final



Japanese
Regulations



Performance Design

PERFORMANCE BY DESIGN

The next generation of KOBELCO excavators brings together superior performance and thoughtful design like never before.

Performance enhancements offer greater efficiency and productivity along with increased speed. Design improvements provide the ultimate in comfort and control.

KOBELCO refuses to compromise by creating machines that meet every challenge.

4 YEAR
KO-PRO+
4,000 HOUR WARRANTY
+ KOMEXS

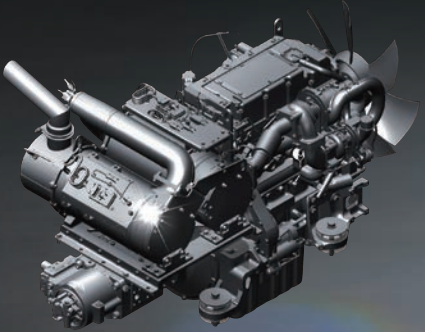




EXCEPTIONAL PERFORMANCE JUST GOT EVEN BETTER

Higher Efficiency, Plus a Tier IV Final Compliant Engine

The new SK260LC is equipped with a Yanmar Tier IV Final compliant engine, which has a higher torque value. Superior balance between engine output and torque contributes to more efficient performance than the previous models. In addition, the DPF replacement interval has been extended.



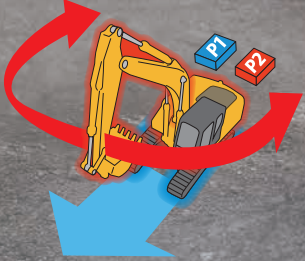
Model: YANMAR 4TN107FTT

Engine Output

194 hp { **145** kW } / **2,200** rpm (SAE NET)

Independent Travel

Selecting Independent Travel dedicates one hydraulic pump to travel and one to the attachment on a continuous basis, allowing for a smooth and constant movement speed even while swinging or using the boom or attachment. With Independent Travel, safely carrying a large pipe across a jobsite is a breeze.



Lift Capacity

21,540 lb
{9,770 kg}

(High and Wide, 9'9" arm, heavy lift, ground level @ 20')

Bucket Digging Force

42,000 lb
{187 kN}

(9'9" arm with power boost engaged)



KOBELCO



04:33



SETTING MENU



PICTURE OF
CAMERA



CLOCK
SETTING



SCREEN
BRIGHTNESS



MAINTENANCE



CONSUMPTION



LANGUAGE
SELECTION



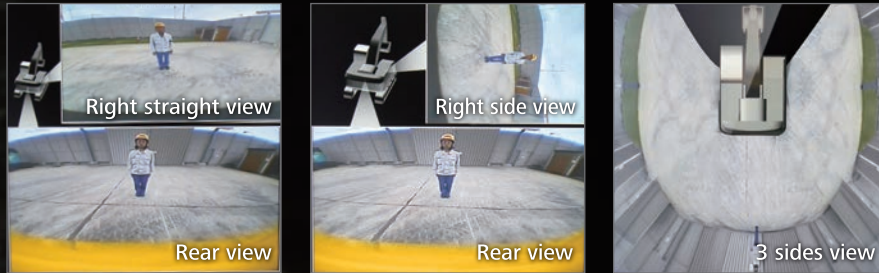
PRESSURE
RELEASE



SAFETY ON FULL DISPLAY

Standard 3 Sides Safety Camera System

Our high-resolution, large display shows right, left and rear side cameras together. Multiple display allows the operator to customize viewing needs to enhance operator awareness and jobsite safety.



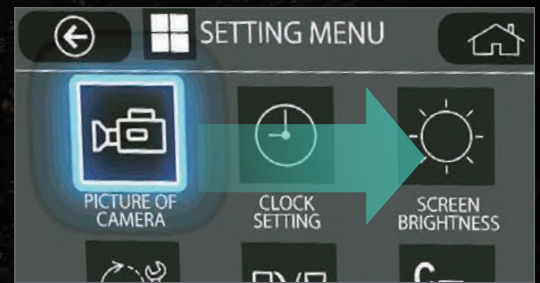
Large 10-Inch Color Monitor

The easy-to-operate menu screen and recognizable icons assist the operator to select the most important information needed to ensure jobsite safety and machine control.



Dial in the Right Information

Simply turn the jog dial to the right or left to select an operational feature, then press the dial to confirm selection.





PREMIER OPERATOR COMFORTS

Heated Air Ride Suspension Seat

A 7-way adjustable seat achieves excellent shock absorption and superior ride comfort.

Multi Vent Air Conditioner

Cool air is blown from multiple outlets toward the operator's body for more comfortable operation.

Ergonomic Lever Angles

Operators can move levers horizontally without twisting their wrists, reducing fatigue.



Adjustable Height Joysticks

Joystick height is manually adjustable to suit operator's preference.

LED Interior Light

Interior lights turn on and off automatically when the door is open or the ignition is turned to the OFF position. This ensures safe entry and exit in the dark.

Tilting Left Side Console

Flip-up left console with integrated pilot control lock lever tilts for easy entry and exit from the cab.



THE ULTIMATE IN SIMPLE DESIGN

In our pursuit of functional beauty and styling, we created an all new interior design focused with the operator in mind.

Jog Dial

This dial integrates multiple functions into a single, easy-to-use interface. Even with gloves on, the operator can make the adjustments they need.

LED Illumination

Dials and buttons are now backlit to provide a bright, clear view in any lighting condition.





GREATER MULTI-FUNCTION CAPABILITIES

Attachment Mode Selection

The auxiliary flow rates for the bucket, breaker, nibbler and thumb are all now adjustable by the operator through the monitor, allowing you to change tools quickly and easily. Mode settings for other attachments like the tilt rotator can be added or changed.



EASY MAINTENANCE



Standard Overhead Top Guard Level II
 The standard overhead cab guard can be tilted open with gas damper for easy window cleaning. Meets standard top guard level II requirements. (ISO 10262)



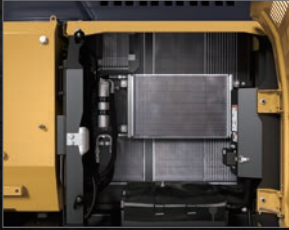
Engine Maintenance
 Lower service platform makes engine service easier.



Two-Stage Air Filter



DEF Tank
 The DEF fill is located inside the locking tool box.



Left Side (Radiator and Cooling System Elements)
 Laid out for easy access to radiator and cooling system with clean out screen.



Right Side (Ground Level Maintenance)
 Hydraulic pump and engine filter compartment.



Fuel Filter / Pre-Filter with Integrated Water Separator



Engine Oil Filter

DURABILITY YOU CAN TRUST

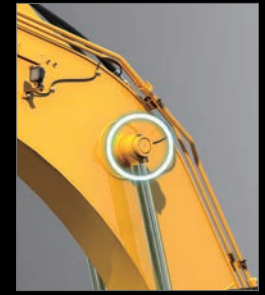
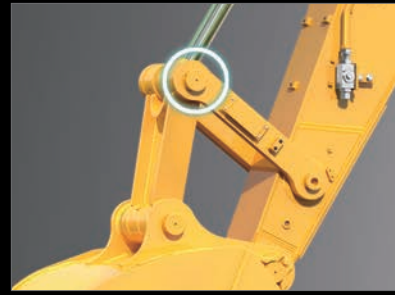
Heavier Door Panels and Supports for Added Body Rigidity

Newly designed and reinforced rear right and left doors provide added protection for the radiator and pump compartments.



Angled Upper Deck Guards

Angled upper deck guards run along the side of the upper body to protect door panels from impact and damage.



Bucket Cylinder Rod Pin*

The increased diameters of the bucket cylinder rod pin and boom center pin contribute to enhanced durability for various types of attachments.

Boom Center Pin*

(Bucket pin dimensions have not changed from previous models.)

HD Undercarriage (optional)*



Reinforced Guide Frame

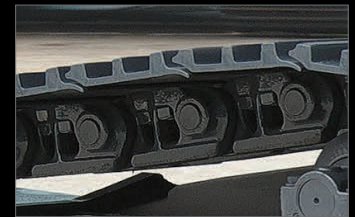
Reinforced guide frame prevents deformation caused by impact or loose stones.



Reinforced Travel Motor Covers



Double-Support, Outer Flanged Upper Rollers



Thicker Shoes and Track Links



Total Support for Machines with Network Speed and Accuracy

KOMEXS is a telematics system for receiving machine information. Manage your machines anywhere in the world using the Internet. Location, workload and diagnostic data aid business operations.

Direct Access to Operational Status

Location Data

Accurate location data can be obtained even from sites where communications are difficult.

Fuel Consumption Data

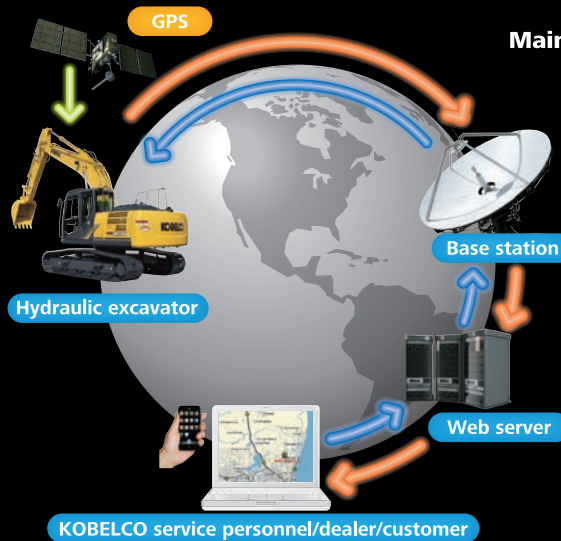
Data on fuel consumption and idling times can be used to indicate improvements in fuel consumption.

Operating Hours

A comparison of operating times of machines at multiple locations shows which locations are busier and more profitable. Operating hours on site can be accurately recorded, for running time calculations needed for rental machines, etc.

Graph of Work Content

The graph shows how working hours are divided among different operating categories, including digging, idling, traveling, and optional operations (N&B).



Maintenance Data and Warning Alerts

Machine Maintenance Data

Provides maintenance status of separate machines operating at multiple sites. Maintenance data is also relayed to KOBELCO service personnel, for more efficient planning of periodic servicing.

Security System

Engine Start Alarm

Sends a notification if the engine is started outside of pre-defined hours.

Area Alarm

Sends a notification if the machine leaves a pre-defined area.

SAFETY AND CONVENIENCE IN EVERY CORNER

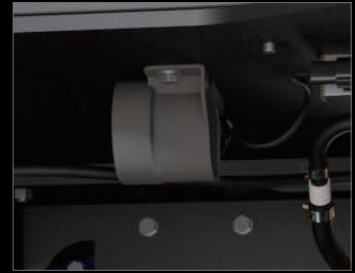


Standard Rear, Left and Right Side Cameras



Swing Flashers for a Safer Jobsite

Standard swing flashers notify ground workers that the machine is swinging.



Travel Alarm



Seatbelt Unfastened Indicator on Monitor



2 on boom (Left & Right)



2 on counterweight



1 on upper frame



2 on cab top front

Standard 7 LED Lights

Bright LED lights ensure visibility even during night work.



Wire Mesh or Vertical Bar Front Cab Guard (optional)



Battery Disconnect Switch with DEF Purge Notification Buzzer



Arm



Boom



Bucket link



Counterweight

Machine Guidance Ready Brackets*

Pre-welded brackets for quicker and easier installation of Machine Guidance Systems.



Quick Coupler Piping Brackets*



Adjustable Height Joystick Consoles

The operator can adjust height of attachment control levers.



Hands-Free Bluetooth® Phone Calls



USB Charging Port / 12V Power Outlet



Smartphone Holder

Includes USB port for charging.

*not on long reach models.

Specifications

Engine

Model	YANMAR 4TN107FTT
Type	Direct injection, water-cooled, 4-cycle diesel engine with turbocharger, intercooler, Tier IV Final certified
No. of cylinders	4
Bore and stroke	4.2" × 5.0" {107 mm × 127 mm}
Displacement	278.7 cu.in {4.567 L}
Rated power output	194 hp {145 kW} /2,200 rpm (SAE NET)
	208 hp {155 kW} /2,200 rpm (Without fan)
Max. torque	577 lb-ft {783 N·m} /1,500 rpm (SAE NET)
	594 lb-ft {805 N·m} /1,500 rpm (Without fan)

Hydraulic System

Pump	
Type	Two variable displacement pumps + one gear pump
Max. discharge flow	2 × 64.7 gpm {2 × 245 L/min} 1 × 5.5 gpm {1 × 21 L/min}
Relief valve setting	
Boom, arm and bucket	4,970 psi {34.3 MPa}
Power Boost	5,480 psi {37.8 MPa}
Travel circuit	4,970 psi {34.3 MPa}
Swing circuit	4,120 psi {28.4 MPa}
Control circuit	725 psi {5.0 MPa}
Pilot control pump	Gear type
Main control valve	8-spool
Oil cooler	Air cooled type

Swing System

Swing motor	Axial piston motor
Brake	Hydraulic; locking automatically when the swing control lever is in neutral position
Parking brake	Oil disc brake, hydraulic operated automatically
Swing speed	11.4 rpm
Swing torque	63,300 lb-ft {85.9 kN·m}

Hydraulic P.T.O.

Specification	Output	Maximum pressure psi {MPa}	Max. flow U.S. gpm, {lpm}
			(0 pressure) 2,100 rpm
Auxiliary		4,970 {34.3}	2 × 64.7 {2 × 245}
Rotation		2,990 {20.6}	11.3 {42.6}

Operating Weight & Ground Pressure

In standard trim, with standard boom, 9'9" {2.98 m} arm, and 1.31 cu.yd. {1.00 m³} ISO heaped bucket

Shaped		Triple grouser shoes (even height)		
Shoe width	ft-in {mm}	27.6" {700}	31.5" {800}	35.4" {900}
Overall width of crawler	ft-in {mm}	10'10" {3,290}	11'1" {3,390}	11'5" {3,490}
Ground pressure	psi {kPa}	6.6 {46}	5.9 {40}	5.3 {36}
Operating weight	lb {kg}	59,500 {27,000}	60,200 {27,300}	60,800 {27,600}

Travel System

Travel motors	2 speed axial-piston with auto down shift
Parking brakes	Spring applied, hydraulic release
Travel shoes	51 each side
Travel speed (high/low)	3.6/2.2 mph {5.8/3.6 km/h}
Drawbar pulling force	54,600 lb {243 kN}
Gradeability	70% {35°}

Cab & Control

Cab	
All-weather, sound-suppressed steel cab mounted on silicon-sealed viscous mounts and equipped with a heavy, insulated floor mat.	
Control	
Two hand levers and two foot pedals for travel	
Two hand levers for excavating and swing	
Electric rotary-type engine throttle	
Proportional hand controlled auxiliary hydraulics	

Boom, Arm & Bucket

Boom cylinders	5.3" {135 mm} × 4'1" {1,235 mm}
Arm cylinder	5.7" {145 mm} × 5'4" {1,635 mm}
Bucket cylinder	4.9" {125 mm} × 3'11" {1,200 mm}

Refilling Capacities & Lubrications

Fuel tank	106.5 U.S.gal {403 L}
Cooling system	6.1 U.S.gal {23 L}
Engine oil	5.3 U.S.gal {20 L}
Travel reduction gear	2 × 1.3 U.S.gal {2 × 5 L}
Swing reduction gear	1.3 U.S.gal {5 L}
Hydraulic oil tank	43.6 U.S.gal {165 L}: Tank oil level
	72.1 U.S.gal {273 L}: Hydraulic system
DEF tank	21.9 U.S.gal {83 L}

Working Ranges

Unit: ft-in {m}

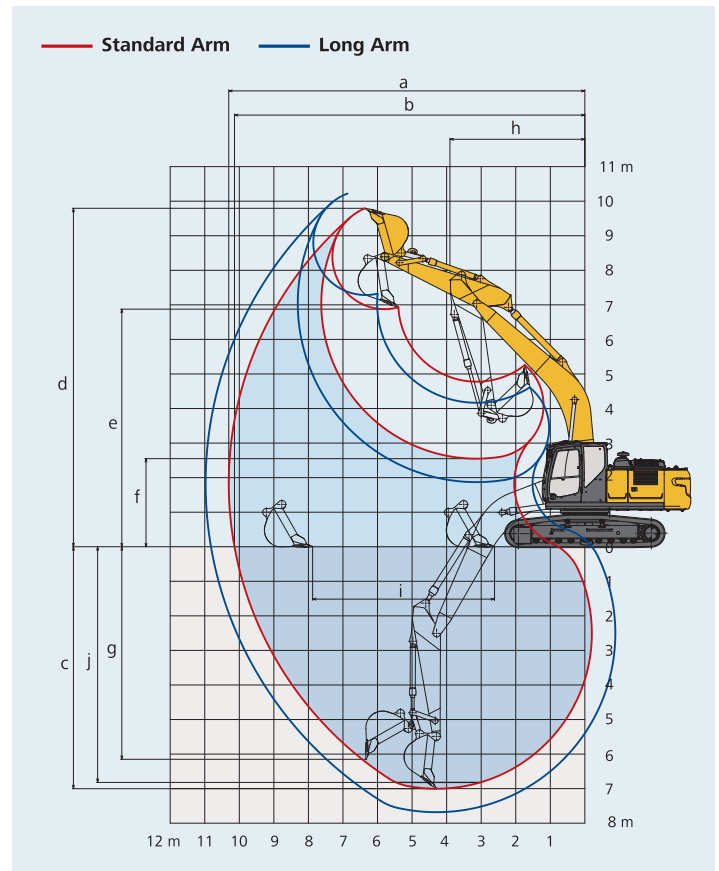
Boom	19'9" {6.02 m}	
Range	Standard 9'9" {2.98 m}	Long 12'0" {3.66 m}
a-Max. digging reach	33'10" {10.30}	36'0" {10.97}
b-Max. digging reach at ground level	33'3" {10.14}	35'6" {10.82}
c-Max. digging depth	23'0" {7.00}	25'2" {7.68}
d-Max. digging height	32'1" {9.79}	33'6" {10.22}
e-Max. dumping clearance	22'7" {6.88}	23'11" {7.28}
f-Min. dumping clearance	8'4" {2.55}	6'2" {1.87}
g-Max. vertical wall digging depth	20'2" {6.15}	22'10" {6.97}
h-Min. swing radius	12'10" {3.91}	12'10" {3.92}
i-Horizontal digging stroke at ground level	17'3" {5.26}	21'3" {6.48}
j-Digging depth for 8' {2.4 m} flat bottom	22'5" {6.82}	24'9" {7.54}
Bucket capacity SAE heaped cu.yd. {m ³ }	1.31 {1.00}	1.05 {0.80}

Digging Force (ISO 6015)

Unit: lb {kN}

Arm length		Standard 9'9" {2.98 m}	Long 12'0" {3.66 m}
Bucket digging force	SAE	35,000 {156} 38,500 {171}*	
	ISO	38,200 {170} 42,000 {187}*	
Arm crowding force	SAE	26,100 {116} 28,600 {127}*	22,700 {101} -
	ISO	27,400 {122} 30,100 {134}*	23,400 {104} -

*Power Boost engaged.



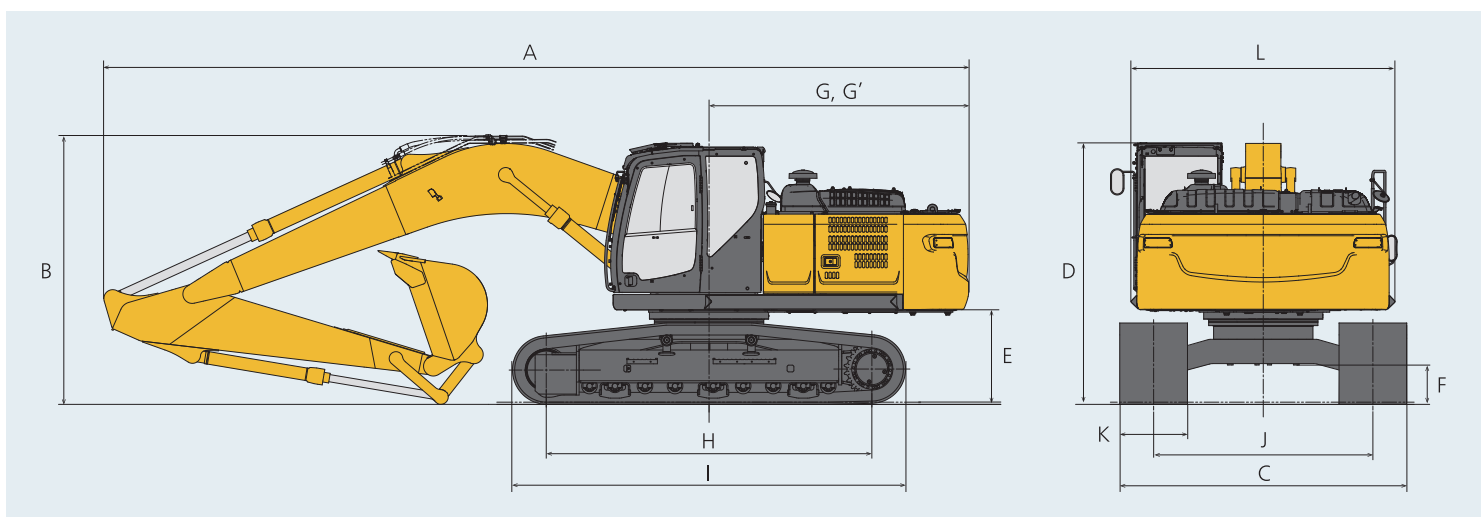
Dimensions

Unit: ft-in {mm}

Arm length		Standard 9'9" {2.98 m}	Long 12'0" {3.66 m}
A Overall length		33'6" {10,210}	33'6" {10,220}
B Overall height (to top of boom)*		10'5" {3,180}	10'11" {3,320}
C Overall width**		11'1" {3,390}	
D Overall height (to top of cab)*		10'2" {3,090}	
E Ground clearance of rear end*		3'7" {1,090}	
F Ground clearance*		17.3" {440}	

G Tail swing radius	10'2" {3,100}
G' Distance from center of swing to rear end	10'1" {3,070}
H Tumbler distance	12'8" {3,850}
I Overall length of crawler	15'3" {4,640}
J Track gauge	8'6" {2,590}
K Shoe width	27.6" {700}/31.5" {800}/35.4" {900}
L Overall width of upperstructure	10'3" {3,120}

*Without including height of shoe lug. **Shoe width: 31.5" (800 mm)



HIGH & WIDE

The High & Wide Specification is specially equipped for forestry and hilly terrain work.

The High & Wide Specification has the generous ground clearance needed to penetrate sites littered with stumps or rocks.

The extra crawler width ensures excellent stability, contributing to uninterrupted working and greater lifting capacity.

Durability is significantly improved with full track guides and larger upper rollers for the crawlers, to prevent de-tracking.

With double grouser shoes used for better grip, these machines are designed to work smoothly over the roughest ground.



Performance

Excellent Stability

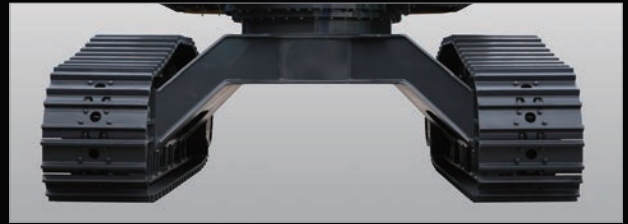
Overall width of crawlers is greater than standard models, for dependable stability and improved lifting capacity.



Overall width of crawlers **11'8" (3,550 mm)**

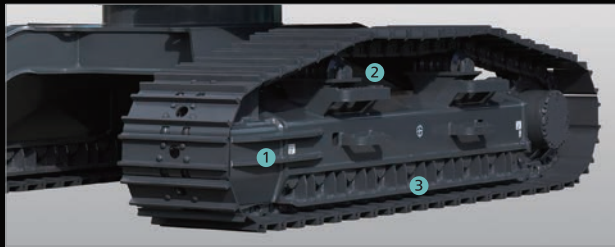
Generous ground clearance

Increased ground clearance over standard models for navigating rocky, forestry and swampy terrain.



Ground clearance **31" (780 mm)**

Durability



Unbeatable durability

The crawlers are designed to provide unbeatable durability to take on the harshest terrain. They feature full track guides to eliminate de-tracking concerns, a reinforced guide frame built to withstand heavy impact, and large, double-support, outer flanged upper rollers unfazed by powerful vibrations.



1 Reinforced guide frame



2 Large, double-support, outer flanged upper rollers



3 Heavy duty shoe (700 mm double bar grouser)



3 Full track guide

Operating Weight & Ground Pressure

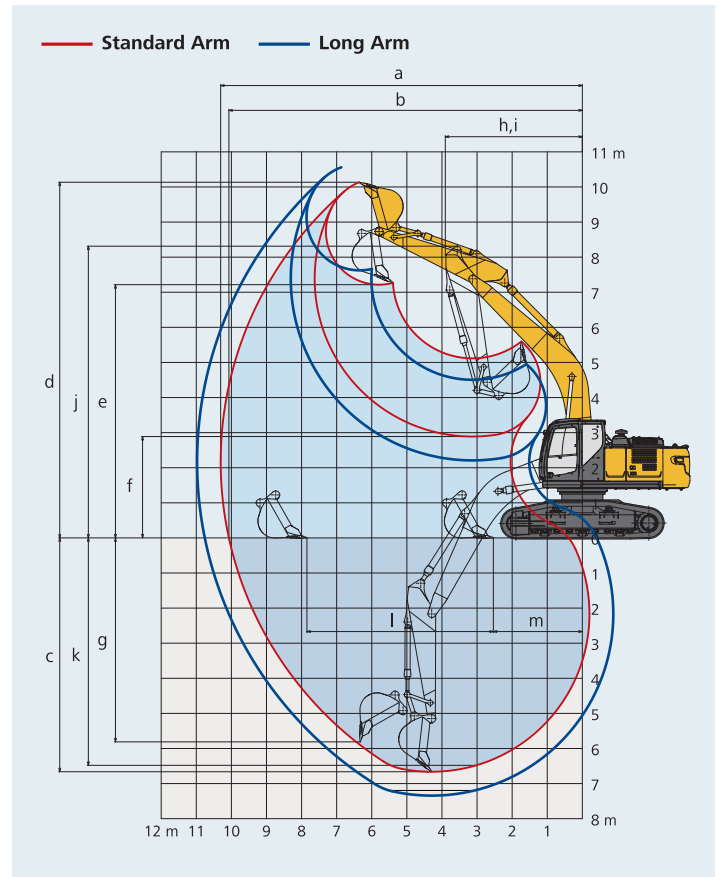
In standard trim, with standard boom, 9'9" {2.98 m} arm, and 1.31 cu.yd. {1.0 m³} ISO heaped bucket

Shaped		Double grouser shoes (even height)	Triple grouser shoes (even height)	
Shoe width	ft-in {mm}	27.6" {700}	31.5" {800}	35.4" {900}
Overall width of crawler	ft-in {mm}	11'8" {3,550}	11'12" {3,650}	12'4" {3,750}
Ground pressure	psi {kPa}	7.3 {50.0}	6.5 {45.0}	5.9 {40.0}
Operating weight	lb {kg}	65,000 {29,500}	66,400 {30,100}	67,000 {30,400}

Working Ranges

Unit: ft-in {m}

Boom		19'8" {6.02 m}	
Range		Standard 9'9" {2.98 m}	Long 12'0" {3.66 m}
a-	Max. digging reach	33'10" {10.3}	36'0" {10.98}
b-	Max. digging reach at ground level	33'0" {10.07}	35'4" {10.76}
c-	Max. digging depth	21'10" {6.66}	24'1" {7.34}
d-	Max. digging height	33'3" {10.13}	34'8" {10.56}
e-	Max. dumping clearance	23'8" {7.22}	25'0" {7.62}
f-	Min. dumping clearance	9'6" {2.89}	7'3" {2.21}
g-	Max. vertical wall digging depth	19'1" {5.81}	21'8" {6.61}
h-	Min. front swing radius	12'10" {3.91}	12'10" {3.92}
i-	Min. front swing length	12'10" {3.90}	12'10" {3.92}
j-	Height at min. swing radius	27'3" {8.31}	27'2" {8.29}
k-	Digging depth for 8' {2.4 m} flat bottom	21'3" {6.48}	23'7" {7.2}
l-	Horizontal digging stroke at ground level	stroke	17'5" {5.31}
m-		min.	8'4" {2.54}
Bucket capacity SAE heaped cu.yd. {m ³ }		1.31 {1.00}	1.05 {0.8}



Digging Force (ISO 6015)

Unit: lb {kN}

Arm length		Standard 9'9" {2.98 m}	Long 12'0" {3.66 m}
Bucket digging force	SAE	35,000 {156} 38,500 {171}*	
	ISO	38,200 {170} 42,000 {187}*	
Arm crowding force	SAE	26,100 {116} 28,600 {127}*	22,700 {101} -
	ISO	27,400 {122} 30,100 {134}*	23,400 {104} -

*Power Boost engaged.

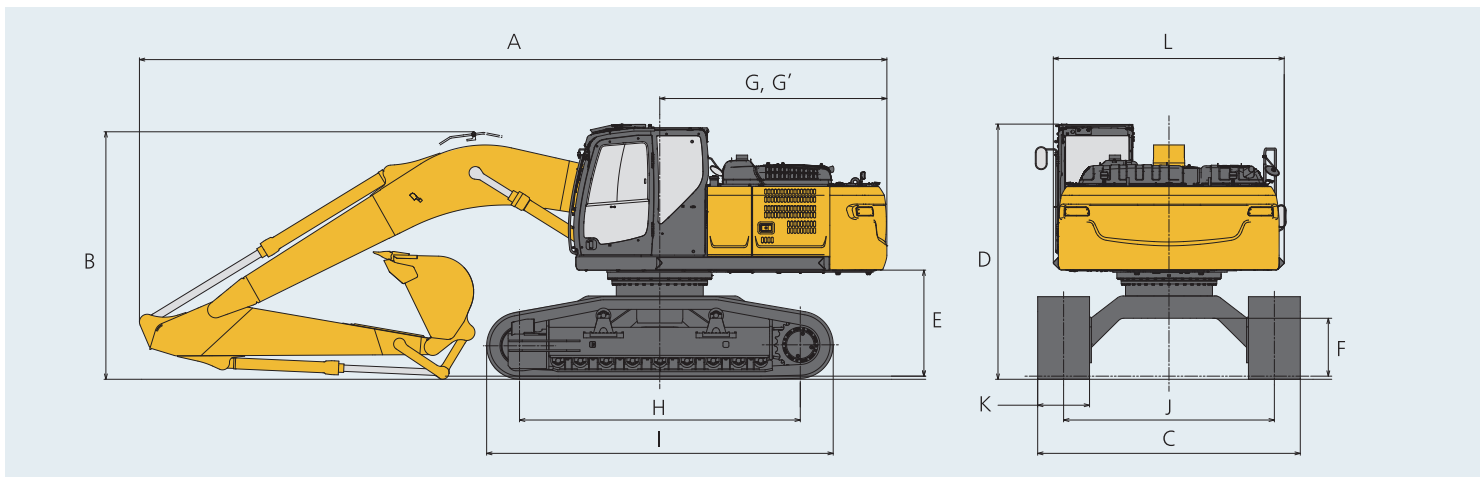
Dimensions

Unit: ft-in {mm}

Arm length		Standard 9'9" {2.98 m}	Long 12'0" {3.66 m}
A	Overall length	33'1" {10,090}	33'1" {10,090}
B	Overall height (to top of boom)*	10'11" {3,340}	11'0" {3,340}
C	Overall width**	11'8" {3,550}	
D	Overall height (to top of cab)*	11'3" {3,440}	
E	Ground clearance of rear end*	4'8" {1,430}	
F	Ground clearance*	31" {780}	

G	Tail swing radius	10'2" {3,100}
G'	Distance from center of swing to rear end	10'1" {3,070}
H	Tumbler distance	12'5" {3,790}
I	Overall length of crawler	15'4" {4,680}
J	Track gauge	9'4" {2,850}
K	Shoe width	27.6" {700}/31.5" {800}/ 35.4" {900}
L	Overall width of upperstructure	10'3" {3,120}

*Without including height of shoe lug. **Shoe width: 27.6" {700 mm}



LONG REACH

The long reach attachment is suited for working sites that need a large working range for works such as dredging, slope finishing, and handling soil from an underground.



Max. digging reach

60'10"
{18,530 mm}

Operating Weight & Ground Pressure

In standard trim, with 33'11" {10.35 m} boom and 27'1" {8.25 m} arm, and 0.73 cu.yd. {0.56m³} ditching bucket weighing 900 lbs {410kg} with 2,000 lb/yd {1,190kg/m³} material

Shaped		Triple grouser shoes (even height)		
Shoe width	ft-in {mm}	27.6" {700}	31.5" {800}	35.4" {900}
Overall width of crawler	ft-in {mm}	10'10" {3,290}	11'1" {3,390}	11'5" {3,490}
Ground pressure	psi {kPa}	6.9 {47.7}	6.1 {42.2}	5.5 {37.9}
Operating weight	lb {kg}	61,900 {28,100}	62,600 {28,400}	63,300 {28,700}

Working Ranges

Unit: ft-in {m}

Boom		33'11" {10.35m}
Range	Arm	27'1" {8.25m}
a-Max. digging reach		60'10" {18.53}
b-Max. digging reach at ground level		60'6" {18.44}
c-Max. digging depth		48'4" {14.73}
d-Max. digging height		47'10" {14.59}
e-Max. dumping clearance		40'5" {12.32}
f- Min. dumping clearance		5'2" {1.57}
g-Max. vertical wall digging depth		40'7" {12.38}
h-Min. front swing radius		18'4" {5.60}
i- Min. front swing length		18'4" {5.60}
j- Height at min. swing radius		39'6" {12.05}
k-Digging depth for 8' {2.4 m} flat bottom		47'10" {14.59}
l- Horizontal digging stroke at	stroke	48'5" {14.77}
m- ground level	min.	5'10" {1.79}
Bucket capacity SAE heaped cu.yd. {m ³ }		0.73 {0.56}

Digging Force (ISO 6015)

Unit: lb {kN}

Arm length		27'1" {8.25m}
Bucket digging force	SAE	17,900 {79.7}
	ISO	19,800 {88.3}
Arm crowding force	SAE	11,600 {51.6}
	ISO	11,700 {52.1}

Boom, Arm & Bucket

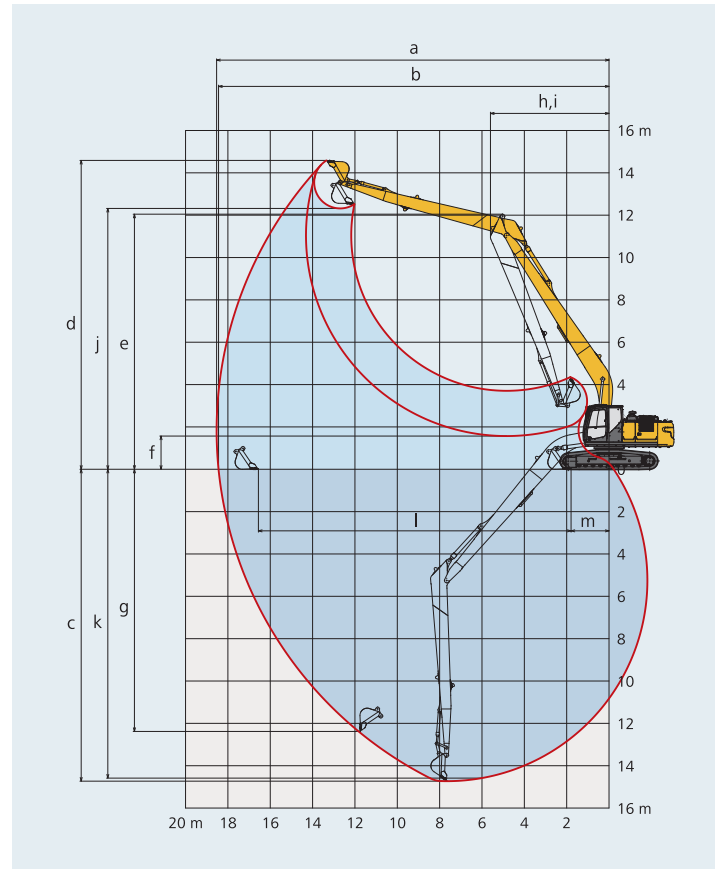
bore x stroke ft-in {mm}

Boom cylinders	5.3" {135} × 4'1" {1,235}
Arm cylinder	5.5" {140} × 5'4" {1,635}
Bucket cylinder	3.7" {95} × 34.8" {885}

Dimensions

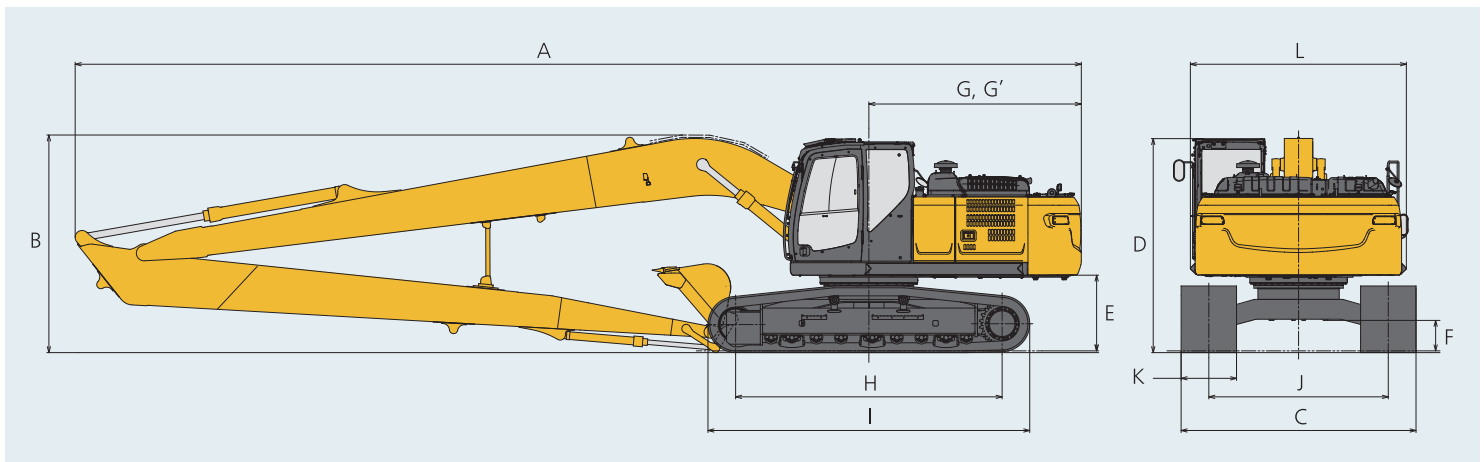
Unit: ft-in {mm}

Arm length	27'1" {8.25m}
A Overall length	47'8" {14,520}
B Overall height (to top of boom)*	10'4" {3,140}
C Overall width**	11'1" {3,390}
D Overall height (to top of cab)*	10'2" {3,090}
E Ground clearance of rear end*	3'7" {1,090}
F Ground clearance*	17.3" {440}

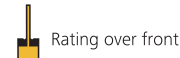
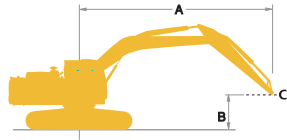


G Tail swing radius	10'2" {3,100}
G' Distance from center of swing to rear end	10'1" {3,070}
H Tumbler distance	12'8" {3,850}
I Overall length of crawler	15'3" {4,640}
J Track gauge	8'6" {2,590}
K Shoe width	27.6" {700}/31.5" {800}/ 35.4" {900}
L Overall width of upperstructure	10'3" {3,120}

*Without including height of shoe lug. **Shoe width: 31.5" {800mm}



Lift Capacities



Rating over front



Rating over side or 360 degrees

A - Reach from swing centerline to arm tip

B - Arm tip height above/below ground

C - Lift point (kg)

Relief valve setting: 4,970 psi {34.3 MPa}

Relief valve setting (Heavy Lift): 5,480 psi {37.8 MPa}

STANDARD MACHINE

SK260LC Standard arm		Boom: 19'9" {6.02 m} Arm: 9'9" {2.98 m} Without bucket: counterweight: 12,300 lb {5,580 kg} Shoe: 31.5" {800 mm} (Heavy Lift)														
B	A	5' {1.5 m}		10' {3.0 m}		15' {4.6 m}		20' {6.1 m}		25' {7.6 m}		At max. reach		Radius		
25' {7.6 m}	lb (kg)															
20' {6.1 m}	lb (kg)							*12,570 (5,700)	*12,570 (5,700)							
15' {4.6 m}	lb (kg)							*12,730 (5,770)	*12,730 (5,770)	*11,140 (5,050)	*11,140 (5,050)	*10,280 (4,660)	*10,280 (4,660)	21'7" (6.60 m)		
10' {3.0 m}	lb (kg)							*14,350 (6,500)	*14,350 (6,500)	*13,420 (6,080)	11,260 (5,100)	*10,170 (4,610)	9,660 (4,380)	27'4" (8.35 m)		
5' {1.5 m}	lb (kg)							*21,730 (9,850)	*21,730 (9,850)	*16,780 (7,610)	15,150 (6,870)	*14,550 (6,590)	10,880 (4,930)	*10,450 (4,740)	8,840 (4,000)	28'6" (8.70 m)
G.L.	lb (kg)			*13,660 (6,190)	*13,660 (6,190)	*29,080 (13,190)	20,680 (9,380)	*21,080 (9,560)	13,810 (6,260)	15,550 (7,050)	10,180 (4,610)	*12,370 (5,610)	8,650 (3,920)	28'2" (8.58 m)		
-5' {-1.5 m}	lb (kg)	*16,540 (7,500)	*16,540 (7,500)	*26,280 (11,920)	*26,280 (11,920)	*29,560 (13,400)	20,470 (9,280)	21,350 (9,680)	13,580 (6,150)	15,430 (6,990)	10,070 (4,560)	14,190 (6,430)	9,320 (4,220)	26'6" (8.10 m)		
-10' {-3.0 m}	lb (kg)	*29,230 (13,250)	*29,230 (13,250)	*40,150 (18,210)	*40,150 (18,210)	*28,160 (12,770)	20,670 (9,370)	*21,010 (9,520)	13,670 (6,200)			16,680 (7,560)	10,890 (4,930)	23'10" (7.26 m)		
-15' {-4.6 m}	lb (kg)			*33,680 (15,270)	*33,680 (15,270)	*24,120 (10,940)	21,300 (9,660)					*17,740 (8,040)	14,770 (6,690)	19'5" (5.93 m)		

SK260LC Long arm		Boom: 19'9" {6.02 m} Arm: 12'0" {3.66 m} Without bucket: counterweight: 12,300 lb {5,580 kg} Shoe: 31.5" {800 mm} (Heavy Lift)														
B	A	5' {1.5 m}		10' {3.0 m}		15' {4.6 m}		20' {6.1 m}		25' {7.6 m}		30' {9.1 m}		At max. reach		Radius
30' {9.1 m}	lb (kg)															
25' {7.6 m}	lb (kg)															
20' {6.1 m}	lb (kg)															
15' {4.6 m}	lb (kg)															
10' {3.0 m}	lb (kg)															
5' {1.5 m}	lb (kg)															
G.L.	lb (kg)	*14,550 (6,590)	*14,550 (6,590)	*23,980 (10,870)	*23,980 (10,870)	*29,370 (13,320)	20,260 (9,180)	21,150 (9,590)	13,400 (6,070)	15,190 (6,890)	9,860 (4,470)			*10,000 (4,530)	8,100 (3,670)	28'11" (8.82 m)
-5' {-1.5 m}	lb (kg)	*23,800 (10,790)	*23,800 (10,790)	*35,250 (15,980)	*35,250 (15,980)	*28,920 (13,110)	20,270 (9,190)	21,090 (9,560)	13,350 (6,050)	15,220 (6,900)	9,890 (4,480)			*12,300 (5,570)	9,210 (4,170)	26'5" (8.06 m)
-10' {-3.0 m}	lb (kg)	*35,330 (16,020)	*35,330 (16,020)	*37,700 (17,100)	*37,700 (17,100)		20,690 (9,380)	*19,340 (8,770)	13,660 (6,190)					*16,190 (7,340)	11,650 (5,280)	22'7" (6.89 m)
-15' {-4.6 m}	lb (kg)						*19,150 (8,680)	*19,150 (8,680)						*16,810 (7,620)	*16,810 (7,620)	16'5" (5.01 m)

HIGH AND WIDE

SK260LC Standard arm		Boom: 19'9" {6.02 m} Arm: 9'9" {2.98 m} Without bucket: counterweight: 12,300 lb {5,580 kg} Shoe: 27.6" {700 mm} (Heavy Lift)												
B	A	5' {1.5 m}		10' {3.0 m}		15' {4.6 m}		20' {6.1 m}		25' {7.6 m}		At max. reach		Radius
25' {7.6 m}	lb (kg)													
20' {6.1 m}	lb (kg)													
15' {4.6 m}	lb (kg)													
10' {3.0 m}	lb (kg)													
5' {1.5 m}	lb (kg)													
G.L.	lb (kg)													
-5' {-1.5 m}	lb (kg)	*19,510 (8,840)	*19,510 (8,840)	*29,550 (13,400)	*29,550 (13,400)	*29,650 (13,440)	25,640 (11,630)	*21,950 (9,950)	16,810 (7,620)	16,610 (7,530)	12,450 (5,640)	*15,330 (6,950)	11,810 (5,350)	26'0" (7.94 m)
-10' {-3.0 m}	lb (kg)	*32,440 (14,710)	*32,440 (14,710)	*39,320 (17,830)	*39,320 (17,830)	*27,750 (12,580)	25,930 (11,760)	*20,690 (9,380)	16,990 (7,700)			*17,250 (7,820)	14,130 (6,400)	23'0" (7.01 m)
-15' {-4.6 m}	lb (kg)													

SK260LC Long arm		Boom: 19'9" {6.02 m} Arm: 12'0" {3.66 m} Without bucket: counterweight: 12,300 lb {5,580 kg} Shoe: 27.6" {700 mm} (Heavy Lift)														
B	A	5' {1.5 m}		10' {3.0 m}		15' {4.6 m}		20' {6.1 m}		25' {7.6 m}		30' {9.1 m}		At max. reach		Radius
30' {9.1 m}	lb (kg)															
25' {7.6 m}	lb (kg)															
20' {6.1 m}	lb (kg)															
15' {4.6 m}	lb (kg)															
10' {3.0 m}	lb (kg)															
5' {1.5 m}	lb (kg)															
G.L.	lb (kg)															
-5' {-1.5 m}	lb (kg)	*16,600 (7,520)	*16,600 (7,520)	*26,240 (11,900)	*26,240 (11,900)	*29,440 (13,350)	25,190 (11,420)	*21,560 (9,770)	16,470 (7,470)	16,250 (7,370)	12,090 (5,480)			*10,410 (4,720)	10,180 (4,610)	28'5" (8.68 m)
-10' {-3.0 m}	lb (kg)	*26,180 (11,870)	*26,180 (11,870)	*38,540 (17,480)	*38,540 (17,480)	*28,540 (12,940)	25,300 (11,470)	*21,150 (9,590)	16,490 (7,470)	*16,190 (7,340)	12,200 (5,530)			*13,110 (5,940)	11,770 (5,330)	25'8" (7.83 m)
-15' {-4.6 m}	lb (kg)															

LONG REACH

SK260LC [Imperial]		Boom: 33'11" Arm: 27'1" Without bucket: counterweight: 14,950 lb Shoe: 31.5"														At max. reach		Radius																												
		5'		10'		15'		20'		25'		30'		35'					40'		45'		50'		55'																					
B	A																																													
40'	lb																							*2,310	*2,310															*2,120	*2,120	45"5"				
35'	lb																							*3,350	*3,350																	*2,060	*2,060	48"9"		
30'	lb																							*3,800	*3,800									*2,680	*2,680							*2,040	*2,040	51"5"		
25'	lb																							*3,940	*3,940	*3,460	*3,460															*2,050	*2,050	53"6"		
20'	lb																									*4,310	*4,310	*4,160	*4,160	*4,050	*4,050	*2,120	*2,120	*2,090	*2,090							*2,090	*2,090	55"0"		
15'	lb																											*5,020	*5,020	*4,680	*4,680	*4,430	*4,430	*4,240	4,020	*2,760	*2,760	*2,160	*2,160			*2,160	*2,160	56"0"		
10'	lb																							*7,380	*7,380	*6,330	*6,330	*5,610	*5,610	*5,100	*5,100	*4,730	4,710	*4,460	3,850	*3,200	3,140	*2,250	*2,250			*2,250	*2,250	56"7"		
5'	lb																							*6,140	*6,140	*16,020	*16,020	*11,170	*11,170	*8,680	*8,680	*7,200	*7,200	*6,220	*6,220	*5,550	5,430	*5,060	4,450	*4,700	3,660	*3,490	3,020	*2,380	*2,380	56"9"
G.L.	lb																							*5,470	*5,470	*11,540	*11,540	*12,930	*12,930	*9,860	*9,860	*8,020	7,740	*6,810	6,220	*5,980	5,080	*5,380	4,200	*4,930	3,490	*3,560	2,910	*2,560	*2,560	56"5"
-5'	lb	*4,810	*4,810	*6,390	*6,390	*10,470	*10,470	*14,190	12,040	*10,810	9,080	*8,720	7,170	*7,340	5,810	*6,380	4,780	*5,670	3,980	*5,140	3,340	*3,320	2,820	*2,780	2,750	55"8"																				
-10'	lb	*6,240	*6,240	*7,690	*7,690	*11,000	*11,000	*14,970	11,420	*11,480	8,560	*9,270	6,750	*7,770	5,490	*6,700	4,550	*5,920	3,810	*5,310	3,220			*3,080	2,800	54"5"																				
-15'	lb	*7,710	*7,710	*9,170	*9,170	*12,190	*12,190	*15,330	11,120	*11,890	8,250	*9,630	6,490	*8,070	5,280	*6,940	4,380	*6,080	3,690	5,260	3,150			*3,480	2,910	52"8"																				
-20'	lb	*9,230	*9,230	*10,810	*10,810	*13,800	*13,800	*15,330	11,060	*12,020	8,130	*9,790	6,360	*8,220	5,160	*7,050	4,290	6,040	3,640	*4,490	3,140			*4,040	3,110	50"4"																				
-25'	lb	*10,840	*10,840	*12,600	*12,600	*15,760	*15,760	*14,990	11,170	*11,880	8,150	*9,730	6,350	*8,180	5,150	*6,990	4,290	*6,020	3,670					*4,890	3,430	47"5"																				
-30'	lb	*12,550	*12,550	*14,590	*14,590	*18,120	17,720	*14,270	11,450	*11,420	8,320	*9,410	6,460	*7,900	5,240	*6,690	4,390							*5,890	3,930	43"8"																				
-35'	lb	*14,370	*14,370	*16,820	*16,820	*16,900	*16,900	*13,080	11,880	*10,560	8,620	*8,710	6,700	*7,260	5,450									*6,230	4,760	39"0"																				
-40'	lb																							*14,320	*14,320	*11,250	*11,250	*9,120	9,090	*7,450	7,100											*6,590	6,320	32"10"		

SK260LC [Metric]		Boom: 10.35 m Arm: 8.25 m Without bucket: counterweight: 6,780 kg Shoe: 800 mm														At max. reach		Radius																												
		1.5 m		3.0 m		4.6 m		6.1 m		7.6 m		9.1 m		10.7 m					12.2 m		13.7 m		15.2 m		16.8 m																					
B	A																																													
12.2 m	kg																							*1,040	*1,040															*960	*960	13.85 m				
10.7 m	kg																							*1,510	*1,510																	*930	*930	14.87 m		
9.1 m	kg																							*1,720	*1,720	*1,210	*1,210															*920	*920	15.68 m		
7.6 m	kg																							*1,780	*1,780	*1,560	*1,560															*920	*920	16.31 m		
6.1 m	kg																									*1,950	*1,950	*1,880	*1,880	*1,830	*1,830	*960	*960	*940	*940							*940	*940	16.77 m		
4.6 m	kg																											*2,270	*2,270	*2,120	*2,120	*2,000	*2,000	*1,920	1,820	*1,250	*1,250	*970	*970			*970	*970	17.09 m		
3.0 m	kg																							*3,340	*3,340	*2,870	*2,870	*2,540	*2,540	*2,310	*2,310	*2,140	2,130	*2,020	1,740	*1,450	1,420	*1,020	*1,020			*1,020	*1,020	17.26 m		
1.5 m	kg																							*2,780	*2,780	*7,260	*7,260	*5,060	*5,060	*3,930	*3,930	*3,260	*3,260	*2,820	*2,820	*2,510	2,460	*2,290	2,010	*2,130	1,660	*1,580	1,360	*1,070	*1,070	17.30 m
G.L.	kg																							*2,480	*2,480	*5,230	*5,230	*5,860	*5,860	*4,470	*4,470	*3,630	3,510	*3,080	2,820	*2,710	2,300	*2,440	1,900	*2,230	1,580	*1,610	1,310	*1,160	*1,160	17.20 m
-1.5 m	kg	*2,180	*2,180	*2,890	*2,890	*4,740	*4,740	*6,430	5,460	*4,900	4,110	*3,950	3,250	*3,320	2,630	*2,890	2,160	*2,570	1,800	*2,330	1,510	*1,500	1,270	*1,260	1,240	16.97 m																				
-3.0 m	kg	*2,830	*2,830	*3,480	*3,480	*4,980	*4,980	*6,790	5,180	*5,200	3,880	*4,200	3,060	*3,520	2,490	*3,030	2,060	*2,680	1,720	*2,400	1,460			*1,390	1,270	16.59 m																				
-4.6 m	kg	*3,490	*3,490	*4,150	*4,150	*5,520	*5,520	*6,950	5,040	*5,390	3,740	*4,360	2,940	*3,660	2,390	*3,140	1,980	*2,750	1,670	2,380	1,420			*1,570	1,310	16.05 m																				
-6.1 m	kg	*4,180	*4,180	*4,900	*4,900	*6,250	*6,250	*6,950	5,010	*5,450	3,680	*4,440	2,880	*3,720	2,340	*3,190	1,940	2,730	1,650	*2,030	1,420			*1,830	1,410	15.35 m																				
-7.6 m	kg	*4,910	*4,910	*5,710	*5,710	*7,140	*7,140	*6,790	5,060	*5,380	3,690	*4,410	2,880	*3,710	2,330	*3,170	1,940	*2,730	1,660					*2,210	1,550	14.45 m																				
-9.1 m	kg	*5,690	*5,690	*6,610	*6,610	*8,210	8,030	*6,470	5,190	*5,180	3,770	*4,260	2,930	*3,580	2,370	*3,030	1,990							*2,670	1,780	13.32 m																				
-10.7 m	kg	*6,510	*6,510	*7,620	*7,620	*7,660	*7,660	*5,930	5,380	*4,780	3,900	*3,950	3,030	*3,290	2,470									*2,820	2,150	11.89 m																				
-12.2 m	kg																							*6,490	*6,490	*5,100	*5,100	*4,130	4,120	*3,370	3,220											*2,980	2,860	10.02 m		

- Notes:**
- Do not attempt to lift or hold any load that is greater than these lift capacities at their specified lift point radius and heights. Weight of all accessories must be deducted from the above lift capacities.
 - Lift capacities are based on machine standing on level, firm, and uniform ground. User must make allowance for job conditions such as soft or uneven ground, out of level conditions, side loads, sudden stopping of loads, hazardous conditions, experience of personnel, etc.
 - Bucket pin attachment point defined as lift point.
 - The above lift capacities are in compliance with ISO 10567. They do not exceed 87% of hydraulic lift capacity or 75% of tipping load. Lift capacities marked with an asterisk(*) are limited by hydraulic capacity rather than tipping load.
 - Operator should be fully acquainted with the Operator's and Maintenance Instructions before operating this machine. Rules for safe operation of equipment should be adhered to at all times.
 - Lift capacities apply to only machine as originally manufactured and normally equipped by KOBELCO CONSTRUCTION MACHINERY CO., LTD.

Standard and Optional Equipment

●=Std ○=Opt

Category	Description	SK260LC-11		
		LC	H&W	Long Reach
Engine	YANMAR 4TN107FTT (Tier IV Final certified)	●	●	●
	Auto engine acceleration/deceleration	●	●	●
	Auto Idle Stop	●	●	●
Hydraulic system	3 work modes H, S, Eco	●	●	-
	Power boost	●	●	-
	Heavy lift mode	●	●	-
	Hydraulic Pressure Release	●	●	●
	Independent travel	●	●	●
	Single pedal travel	○	○	○
	Swing priority	●	●	●
	Boom to arm regeneration	●	●	●
	Auto warm-up system	●	●	●
	Bi-direction (proportional hand control) and single-direction auxiliary hydraulics (nibbler and breaker)	●	●	-
	Rotation hydraulics with proportional hand control	○	○	-
	Hydraulic oil VG46	●	●	●
	Cabin	Air suspension seat with heat	●	●
10-inch color monitor		●	●	●
LED door light		●	●	●
Automatic climate control		●	●	●
Radio (AM/FM, AUX, USB, Bluetooth® and hands-free telephone)		●	●	●
12V power outlet		●	●	●
Lights	7 LED work lights: 2 on boom, 2 on cab front, 2 on rear counterweight, 1 on front right	●	●	●
Working equipment	Standard HD boom 19'9" {6.02 m}	●	●	-
	Standard HD arm 9'9" {2.98 m} with rock guard	●	●	-
	Long HD arm 12'0" {3.66 m} with rock guard	○	○	-
	Long reach attachment 60' {18.29 m}	-	-	●
Counter weight	Standard C/W 12,300 lb {5,580 kg} with swing flashers	●	●	-
	Long reach C/W 14,900 lb {6,780 kg} with swing flashers (for long reach only)	-	-	●
Undercarriage	31.5" {800 mm} triple grouser shoe	-	●	-
	35.4" {900 mm} triple grouser shoe	○	○	○
	HD undercarriage with 31.5" {800 mm} HD triple grouser shoe	○	-	-
	HD undercarriage with 35.4" {900 mm} HD triple grouser shoe	○	-	-
	27.6" {700 mm} double grouser shoe	-	●	-
	High and Wide lower frame	-	●	-
	Full track guide	-	●	-
	Track guides (three per side)	●	-	●
	Lower swivel guard	●	●	●
Safety	ROPS cab (ISO 12117-2:2008)	●	●	●
	Tilt opening top cab guard (Top guard level II ISO 10262:1998)	●	●	●
	Bar-type front guard (Front guard level II ISO 10262:1998)	○	○	○
	Mesh-type front guard (Front guard level I ISO 10262:1998)	○	○	○
	Engine emergency stop switch	●	●	●
	3-inch retractable seat belt	●	●	●
	Seatbelt indicator on display	●	●	●
	Travel alarm	●	●	●
	Swing flashers in counterweight	●	●	●
	Left and right side mirrors	●	●	●
	3-side 270-degree camera system	●	●	●
Others	Hose burst valve for boom and arm cylinder	○	○	○
	Angled upper deck guards	●	●	●
	Machine Guidance ready brackets	●	●	-
	Quick coupler piping ready brackets	●	●	-
	ISO to BHL pattern changer	●	●	●
	Battery disconnect switch	●	●	●
	KOMEXS Machine Monitoring	●	●	●
	4 Year or 4,000 Hour Warranty	●	●	●

Note: Bluetooth® is a registered trademark of the Bluetooth SIG Inc.

Note: This catalog may contain attachments and optional equipment that are not available in your area. And it may contain photographs of machines with specifications that differ from those of machines sold in your areas. Please consult your nearest KOBELCO distributor for those items you require. Due to our policy of continuous product improvements all designs and specifications are subject to change without advance notice.

Copyright by **KOBELCO CONSTRUCTION MACHINERY CO., LTD.** No part of this catalog may be reproduced in any manner without notice.

KOBELCO CONSTRUCTION MACHINERY U.S.A. INC.

22350 Merchants Way, Katy, TX 77449
 Tel: 281-888-8430 Fax: 281-506-8713
 www.KOBELCO-USA.com

Inquiries To:

KOBELCO is the corporate mark used by Kobe Steel on a variety of products and in the names of a number of Kobe Steel Group companies.